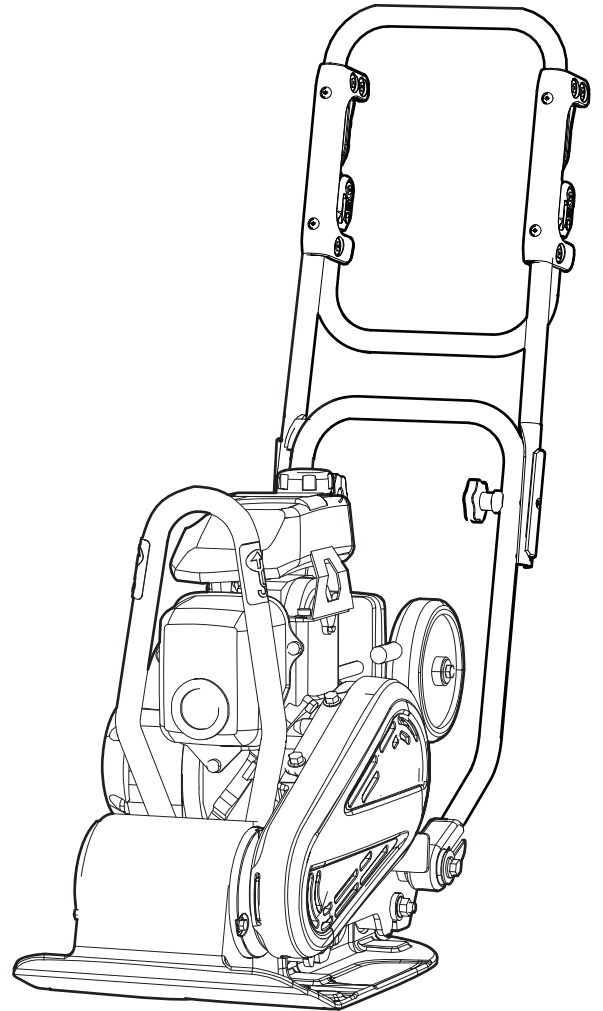


## Spare parts list

### Forward plate

|                      | Valid from serial number |
|----------------------|--------------------------|
| LF 50 Honda L 320 mm | 27608531                 |
| LF 50 Honda L 320 mm | BGF000001                |





# Contents

- General information..... 5
- Spare parts list..... 6
  - Engine plate installation, Honda..... 6
  - Ground plate installation..... 8
  - Transport device..... 10
  - Engine installation, Honda..... 12
  - Engine, Honda GX 100 SE3 OH..... 14
  - Transmission cover, Honda..... 16
  - Standard handle, old version..... 18
  - Standard handle, new version..... 20
  - Vibration damped handle..... 22
  - Labels..... 24
- Kits..... 26
  - One year service kit..... 26
  - Shock absorber repair kit..... 26
  - Eccentric element repair kit..... 26
  - Transport device kit..... 27
  - Handle kit..... 28
  - Vibration damped handle kit..... 29



## General information

This spare parts list applies to the following:

| Part number  | Description                                    |
|--------------|--|
| 3382 0000 32 | Forward plate LF 50 Honda L 320 mm (12.60 in.) |

Use only authorized parts. Any damage or malfunction caused by the use of unauthorized parts is not covered by Warranty or Product Liability. Any unauthorized use or copying of the contents or any part thereof is prohibited. This applies in particular to trademarks, model denominations, part numbers, and drawings.

### Instructions for use

This spare parts list contains no safety regulations and is merely intended to assist in the ordering of spare parts.

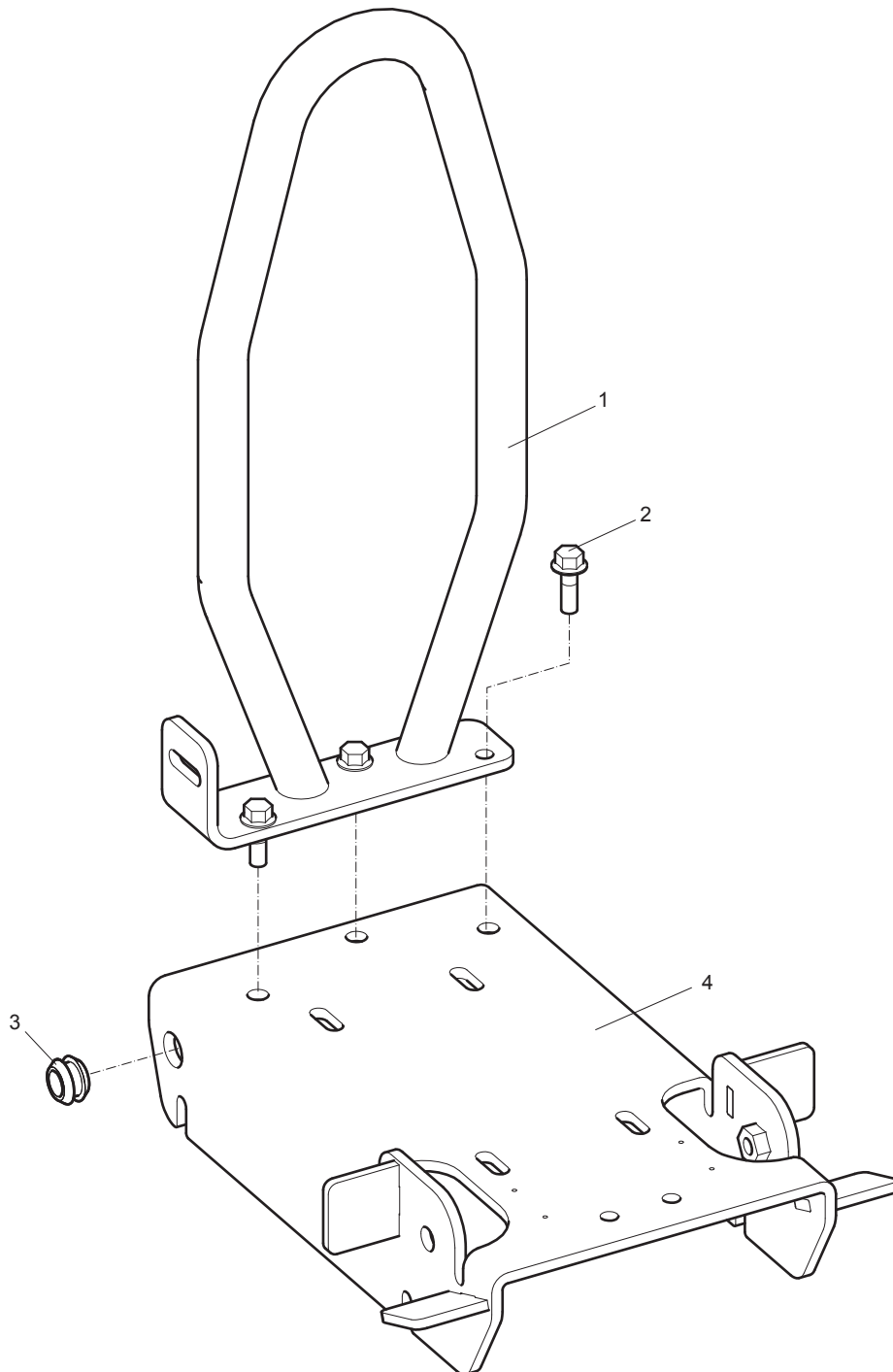
For information about operating, servicing, or repairing, the relevant Safety and operating instructions must be consulted at all costs.

Please observe the safety instructions listed in the relevant Safety and operating instructions!

# Spare parts list

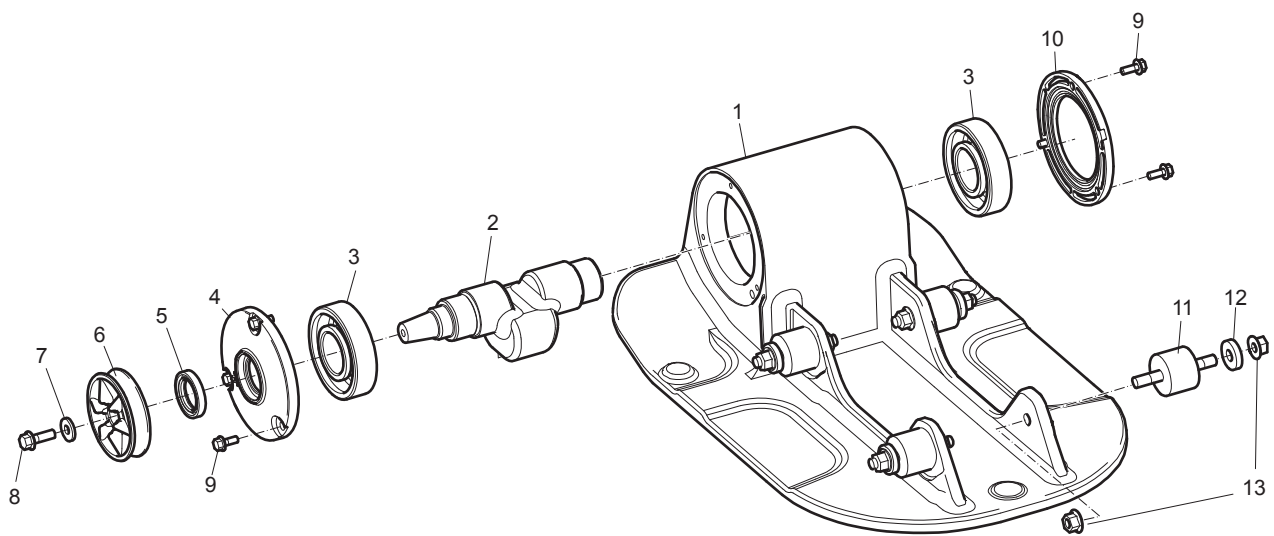
## Engine plate installation, Honda

---



| No. | Description  | Remark             | Quantity | Part number  |
|-----|--------------|--------------------|----------|--------------|
| 1   | Lifting eye  |                    | 1        | 3382 0101 28 |
| 2   | Screw        | M8 x 20 mm 8.8 A2K | 3        | -            |
| 3   | Grommet      |                    | 2        | 4700 9091 07 |
| 4   | Engine plate |                    | 1        | 3382 0101 34 |

# Ground plate installation

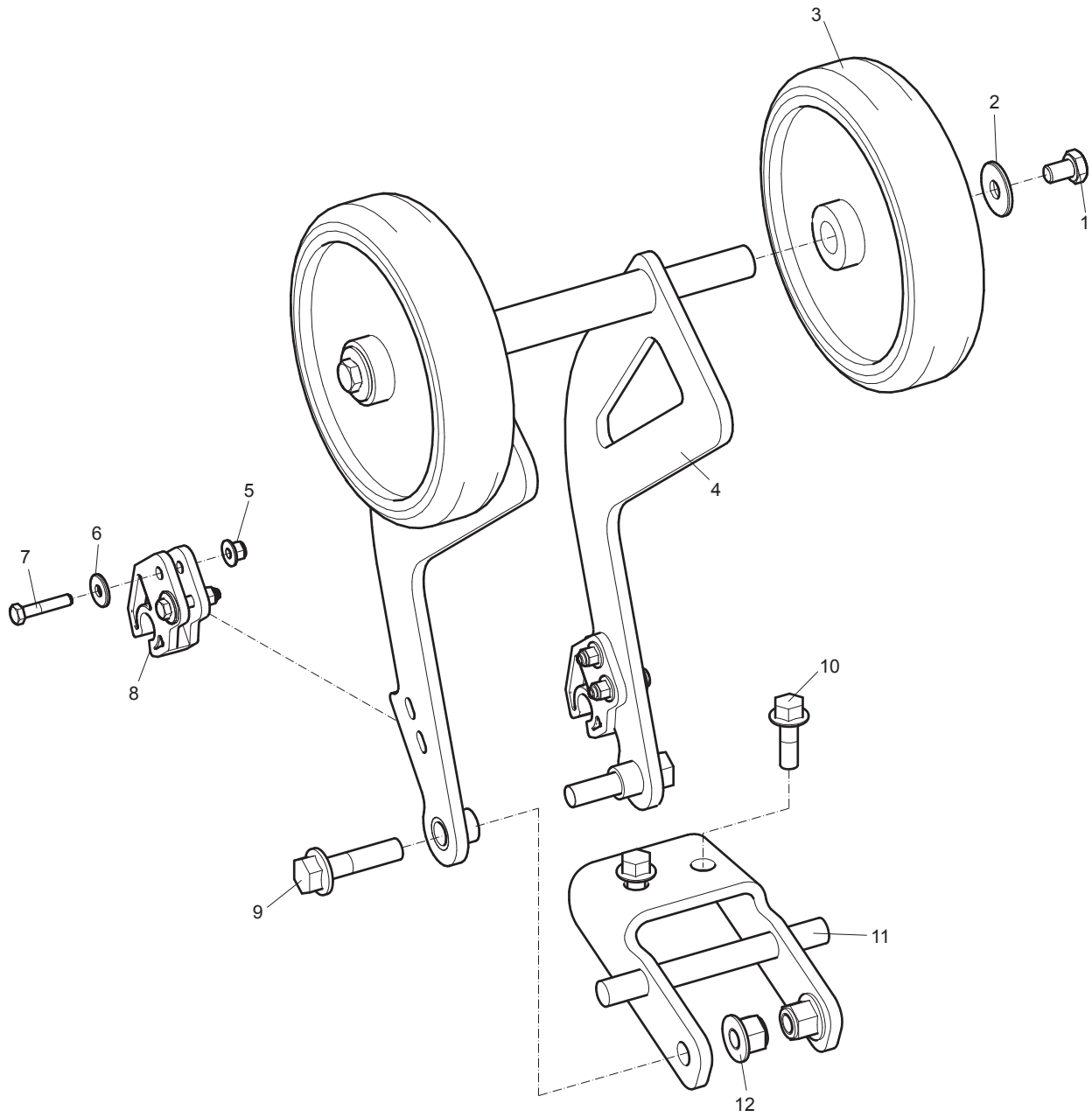




| No. | Description       | Remark                                     | Quantity | Part number  |
|-----|-------------------|--|----------|--------------|
| 1   | Ground plate      |  | 1        | 3382 0101 46 |
| 2   | Eccentric shaft   |  | 1        | 4700 3918 42 |
| 3   | Ball bearing      |  | 2        | 4700 7927 10 |
| 4   | Cover             |  | 1        | 4700 3965 48 |
| 5   | Lip-type oil seal |  | 1        | 4700 1631 05 |
| 6   | V-belt pulley     |  | 1        | 4700 3950 13 |
| 7   | Washer            | 8.4 x 22 x 3 mm<br>0.33 x 0.87 x 0.12 in.  | 1        | -            |
| 8   | Screw             | M8 x 25 mm 8.8 A2K                         | 1        | -            |
| 9   | Screw             | M6 x 16 mm 8.8 A2K                         | 6        | -            |
| 10  | Cover             |  | 1        | 4700 3965 49 |
| 11  | Shock absorber    |  | 4        | 4700 7927 06 |
| 12  | Washer            | 10.5 x 28 x 6 mm<br>0.41 x 1.10 x 0.24 in. | 4        | -            |
| 13  | Nut               | M10 x 1.5 mm GEOMET®                       | 8        | 4700 5701 03 |

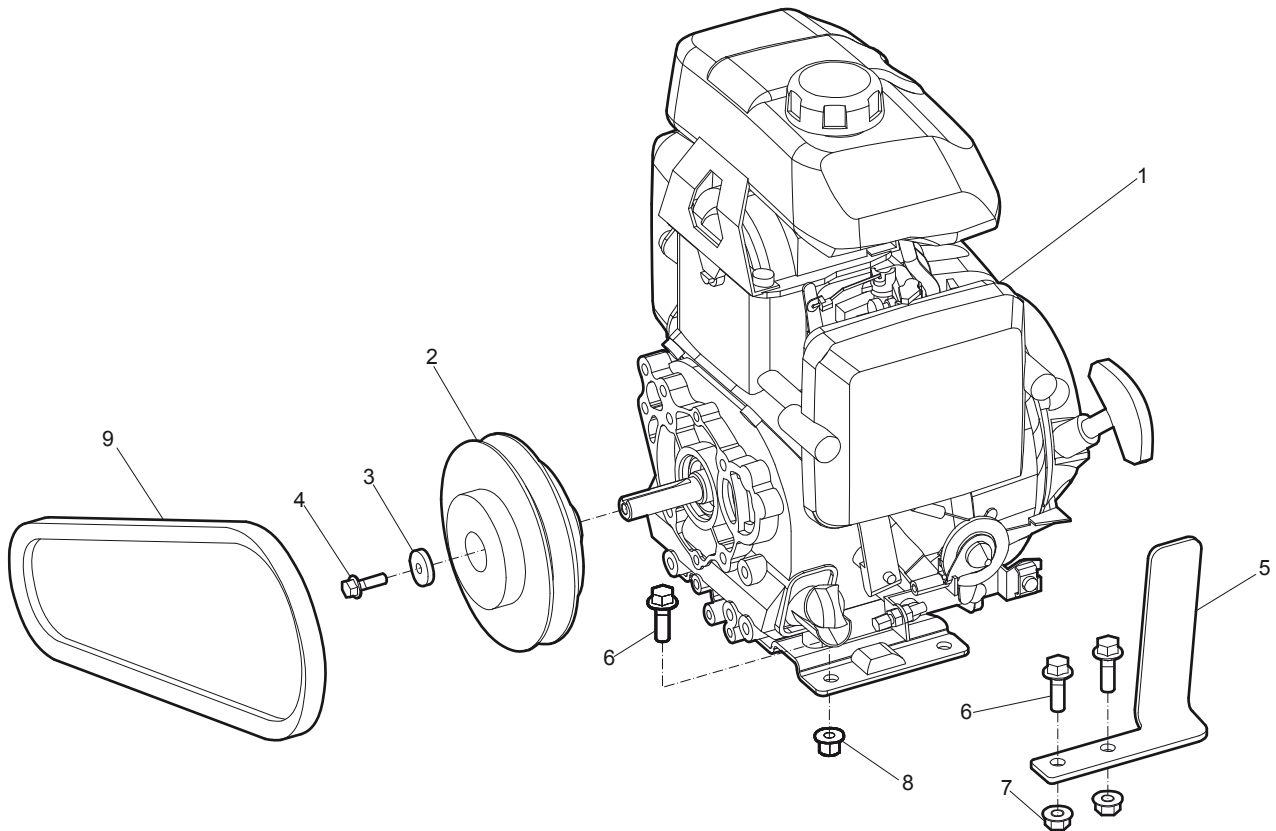
GEOMET is a registered trademark of Nof Metal Coatings North America Inc.

# Transport device



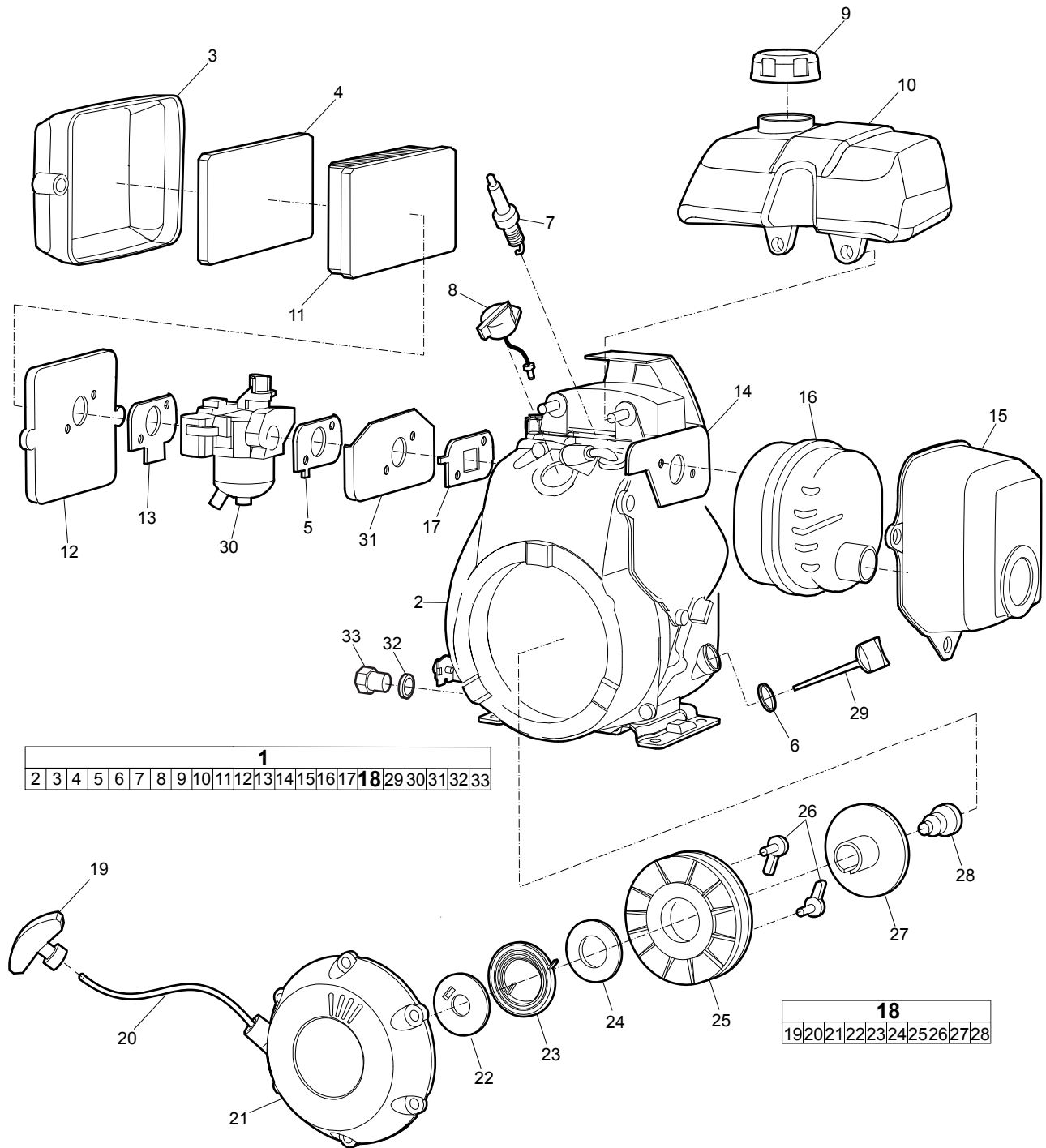
| No. | Description       | Remark                                    | Quantity | Part number  |
|-----|-------------------|---|----------|--------------|
| 1   | Screw             | M8 x 12 mm 8.8 A2K                        | 2        | -            |
| 2   | Washer            | 8.4 x 25 x 2 mm<br>0.33 x 0.98 x 0.08 in. | 2        | -            |
| 3   | Wheel             |   | 2        | 4700 3835 82 |
| 4   | Bracket           |   | 1        | 3382 0102 20 |
| 5   | Nut               |   | 4        | 4700 9022 84 |
| 6   | Washer            | 8.4 x 25 x 2 mm<br>0.33 x 0.98 x 0.08 in. | 4        | -            |
| 7   | Screw             | M5 x 25 mm 8.8 A2K                        | 4        | -            |
| 8   | Clip              |   | 2        | -            |
| 9   | Screw with flange | M10 x 40 mm 8.8 A3K                       | 2        | -            |
| 10  | Screw             | M8 x 25 mm 8.8 A2K                        | 2        | -            |
| 11  | Bracket           |   | 1        | 3382 0102 19 |
| 12  | Nut               | M10 x 1.5 mm A3K                          | 2        | -            |

## Engine installation, Honda



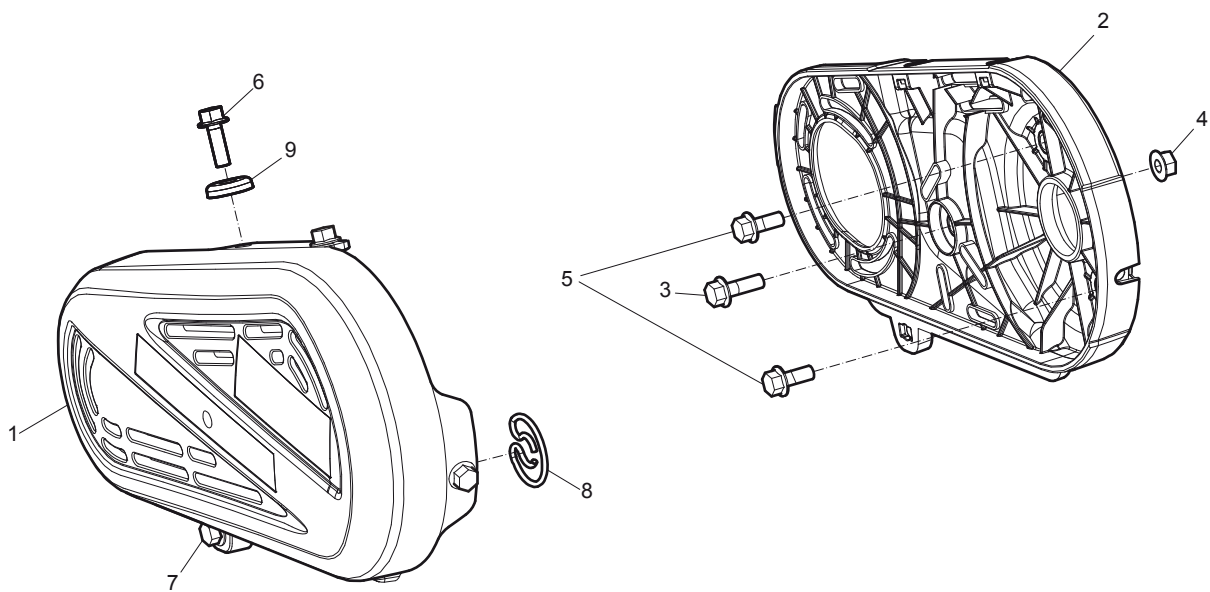
| No. | Description        | Remark                                    | Quantity | Part number  |
|-----|--------------------|---|----------|--------------|
| 1   | Engine             | See section "Engine"                      | 1        | -            |
| 2   | Centrifugal clutch |   | 1        | 4700 3919 93 |
| 3   | Washer             | 6.4 x 22 x 4 mm<br>0.25 x 0.87 x 0.16 in. | 1        | -            |
| 4   | Screw              | M6 x 20 mm 8.8 A2K                        | 1        | -            |
| 5   | Protective plate   |   | 1        | 4700 3959 38 |
| 6   | Screw              | M8 x 25 mm 8.8 A2K                        | 6        | -            |
| 7   | Nut                | M8 x 1.25 mm A2K                          | 2        | -            |
| 8   | Lock nut           | M8 x 1.25 mm A2K                          | 4        | -            |
| 9   | V-belt             |   | 1        | 4700 3956 57 |

# Engine, Honda GX 100 SE3 OH



| No.                     | Description                     | Remark              | Quantity | Part number  |
|-------------------------|---------------------------------|---------------------|----------|--------------|
| <b>1(2-17,18,29-33)</b> | <b>Engine, complete</b>         | Honda GX 100 SE3 OH | 1        | 4700 3879 90 |
| 2                       | Engine                          |                     | 1        | -            |
| 3                       | Air filter cover                |                     | 1        | 4700 9389 75 |
| 4                       | Air filter                      | Outer               | 1        | 4700 9389 33 |
| 5                       | Gasket                          |                     | 1        | 4700 9382 85 |
| 6                       | Sealing                         |                     | 1        | 4700 9384 77 |
| 7                       | Spark plug                      |                     | 1        | 4700 9389 34 |
| 8                       | Switch                          |                     | 1        | 4700 9402 93 |
| 9                       | Fuel cap                        |                     | 1        | 4700 9396 88 |
| 10                      | Fuel tank                       |                     | 1        | 4700 9396 87 |
| 11                      | Air filter                      | Inner               | 1        | 4700 9389 32 |
| 12                      | Air filter housing              |                     | 1        | 4700 9398 62 |
| 13                      | Gasket                          |                     | 1        | 4700 9407 49 |
| 14                      | Gasket                          |                     | 1        | 4700 9397 37 |
| 15                      | Cover                           |                     | 1        | 3382 1001 37 |
| 16                      | Silencer                        |                     | 1        | 4700 9389 71 |
| 17                      | Gasket                          |                     | 1        | 4700 9456 59 |
| <b>18(19-28)</b>        | <b>Recoil starter, complete</b> | Black               | 1        | 3382 1001 38 |
| 19                      | Handle                          |                     | 1        | 4700 2393 71 |
| 20                      | Rope                            |                     | 1        | 4700 9396 90 |
| 21                      | Cover                           | Black               | 1        | 3382 1001 39 |
| 22                      | Plate                           |                     | 1        | 3382 1001 40 |
| 23                      | Spring                          |                     | 1        | 4700 2393 75 |
| 24                      | Washer                          |                     | 1        | 3382 1001 41 |
| 25                      | Reel                            |                     | 1        | 3382 1001 42 |
| 26                      | Ratchet                         |                     | 2        | 4700 9384 81 |
| 27                      | Guide                           |                     | 1        | 4700 9384 82 |
| 28                      | Set screw                       |                     | 1        | 4700 2393 81 |
| 29                      | Oil dip stick                   |                     | 1        | 4700 9389 77 |
| 30                      | Carburettor                     |                     | 1        | 4700 9396 86 |
| 31                      | Insulator                       |                     | 1        | 4700 9398 59 |
| 32                      | Gasket                          |                     | 1        | 4700 2383 03 |
| 33                      | Oil drain plug                  |                     | 1        | 4700 2393 75 |

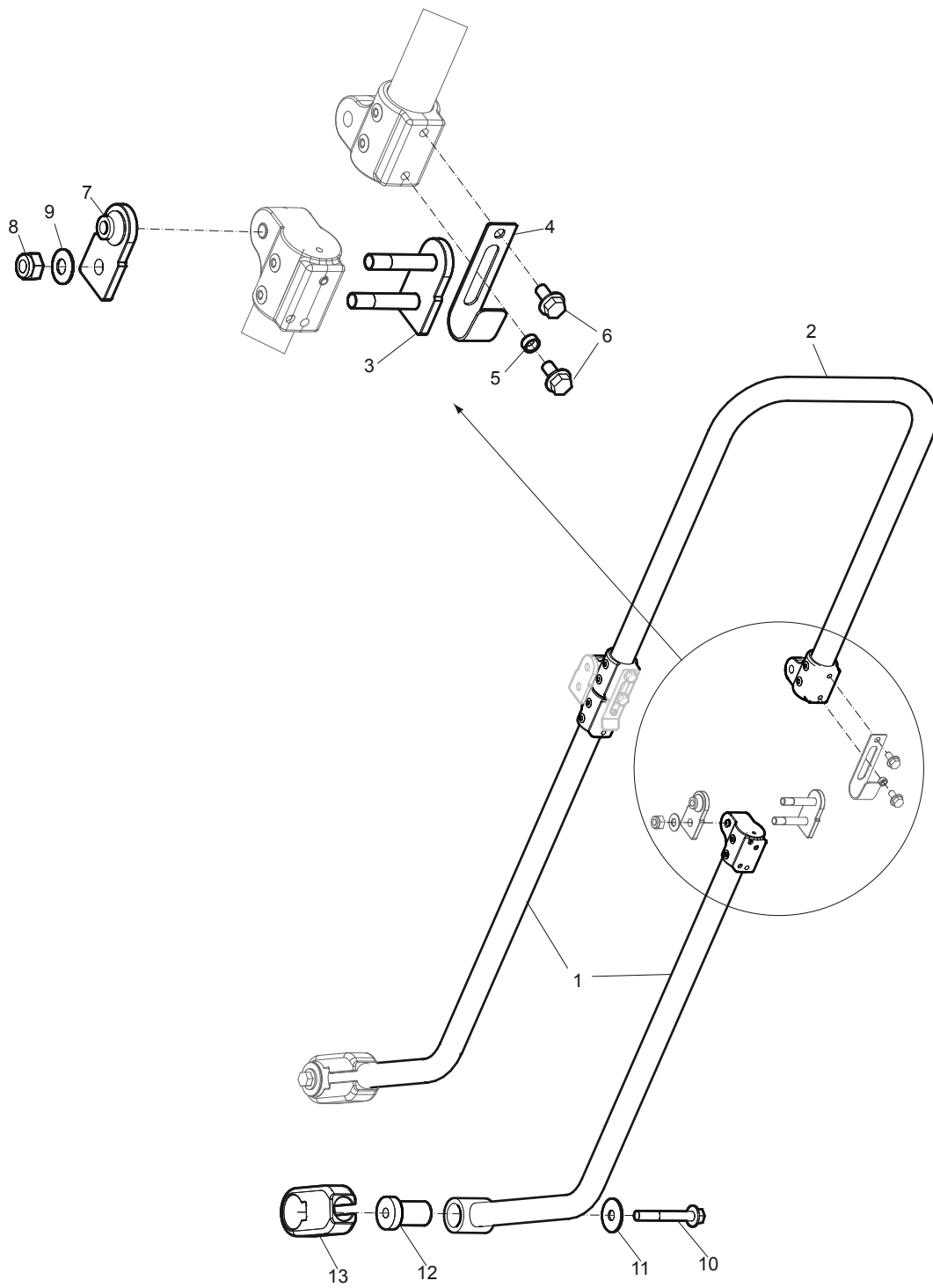
## Transmission cover, Honda





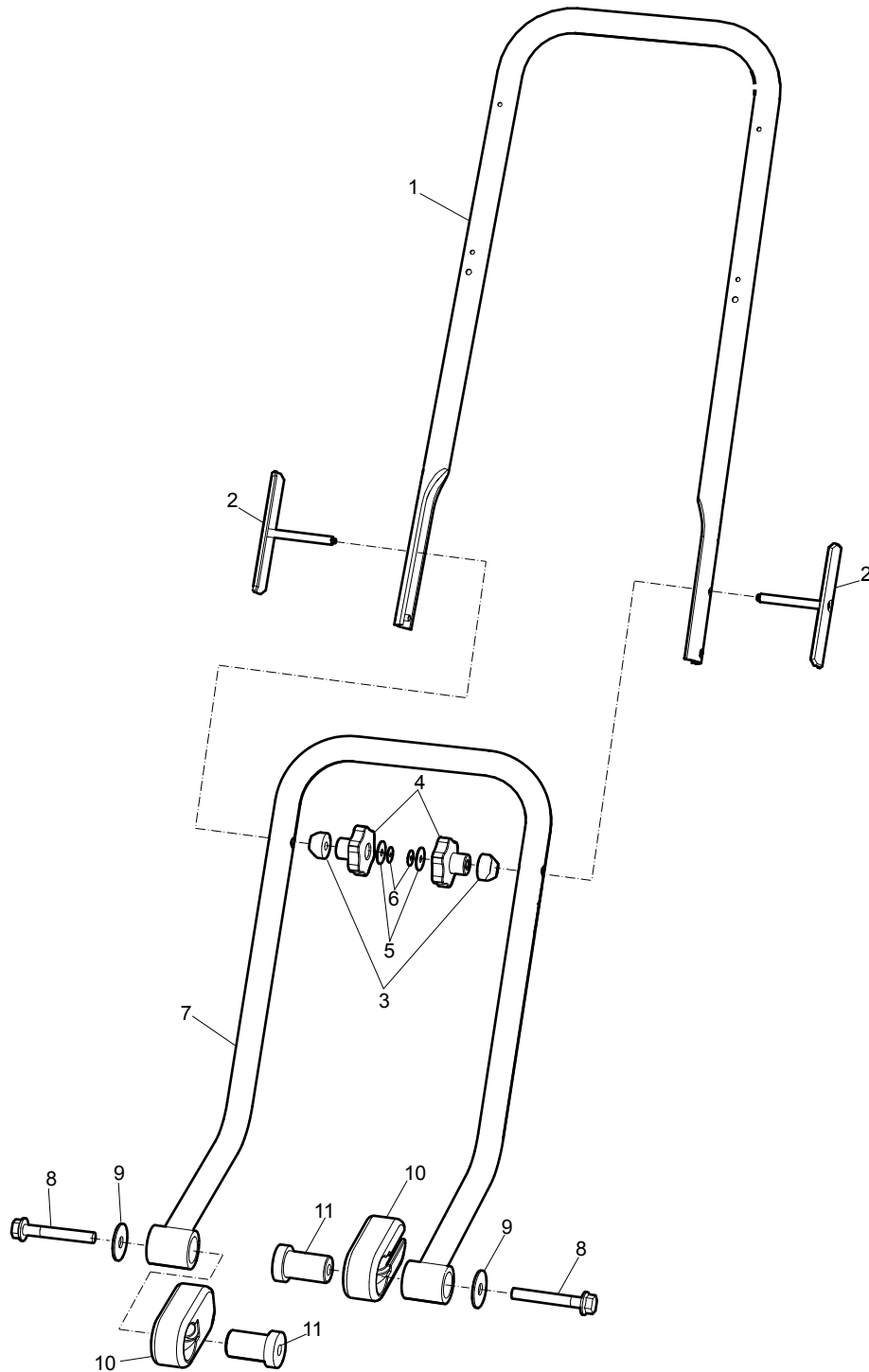
| No. | Description       | Remark             | Quantity | Part number  |
|-----|-------------------|--------------------|----------|--------------|
| 1   | Belt guard, outer |                    | 1        | 3382 0101 29 |
| 2   | Belt guard, inner |                    | 1        | 4700 3939 66 |
| 3   | Screw             | M8 x 25 mm 8.8 A2K | 1        | -            |
| 4   | Nut               | M8 x 1.25 mm A2K   | 1        | -            |
| 5   | Screw             | M8 x 20 mm 8.8 A2K | 2        | -            |
| 6   | Screw             | M8 x 30 mm 8.8 A2K | 3        | -            |
| 7   | Screw             |                    | 1        | 4812 0703 68 |
| 8   | Lock spring       |                    | 1        | 4812 0704 31 |
| 9   | Washer            |                    | 3        | 4812 0703 64 |

# Standard handle, old version



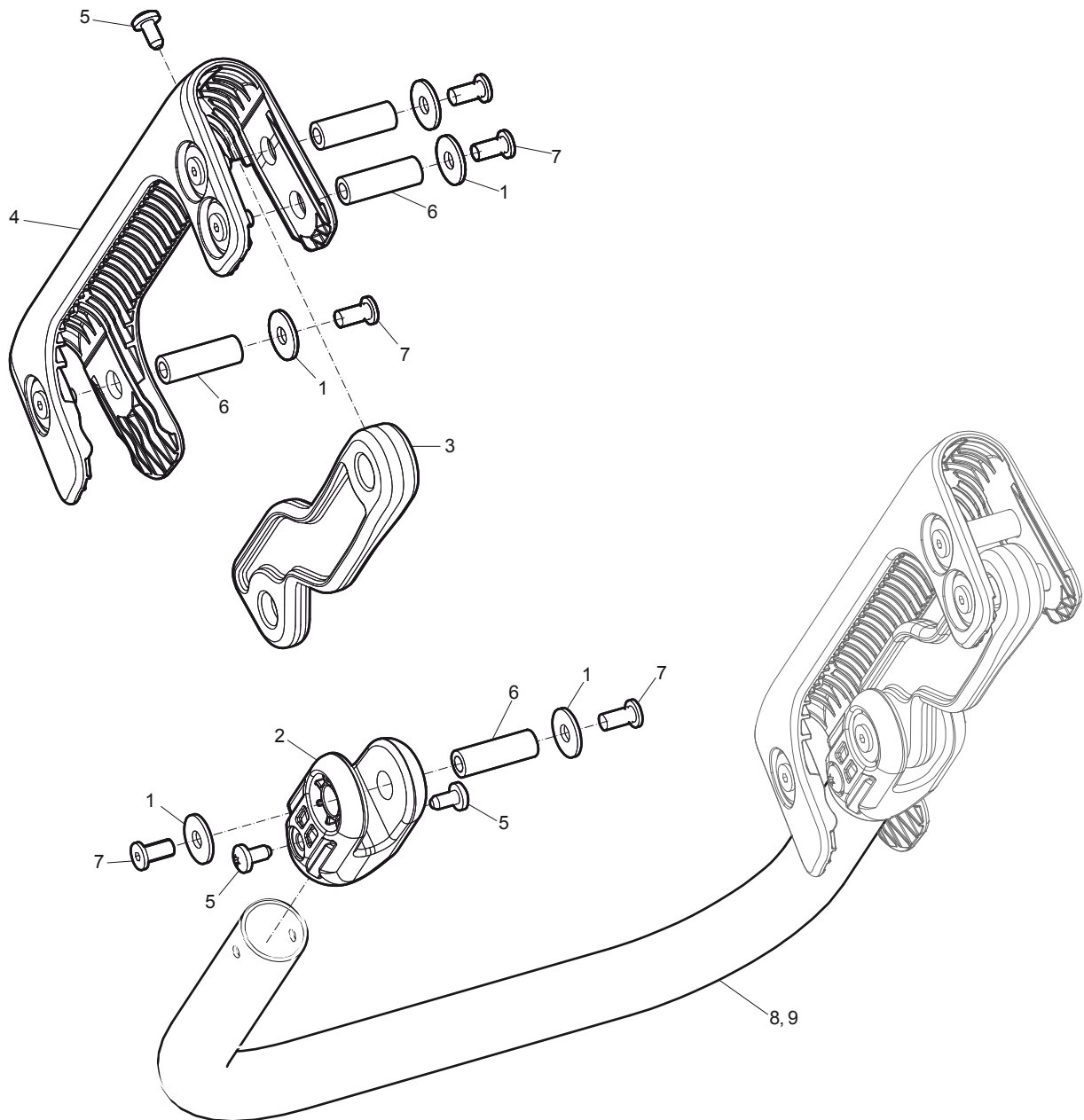
| No. | Description        | Remark                                    | Quantity | Part number  |
|-----|--------------------|---|----------|--------------|
| 1   | Handle, lower part |   | 2        | 3382 0101 23 |
| 2   | Handle, upper part |   | 1        | 3382 0101 24 |
| 3   | Link               |   | 2        | 4700 3932 20 |
| 4   | Cover              |   | 2        | 4700 3940 29 |
| 5   | Spacer sleeve      |   | 2        | 4700 3941 45 |
| 6   | Screw              | M6 x 10 mm A2K                            | 4        | -            |
| 7   | Washer             |   | 2        | 4700 3942 28 |
| 8   | Lock nut           | M8 -8 DIN985                              | 4        | -            |
| 9   | Disc spring        | 18 x 8.2 x 1 mm<br>0.71 x 0.32 x 0.04 in. | 4        | -            |
| 10  | Screw              | M10 x 70 mm 8.8 A3K                       | 2        | -            |
| 11  | Washer             | 11 x 35 x 2 mm<br>0.43 x 1.37 x 0.08 in.  | 2        | -            |
| 12  | Sleeve bearing     |   | 2        | 4700 3920 84 |
| 13  | Shock absorber     |   | 2        | 4700 3918 22 |

## Standard handle, new version



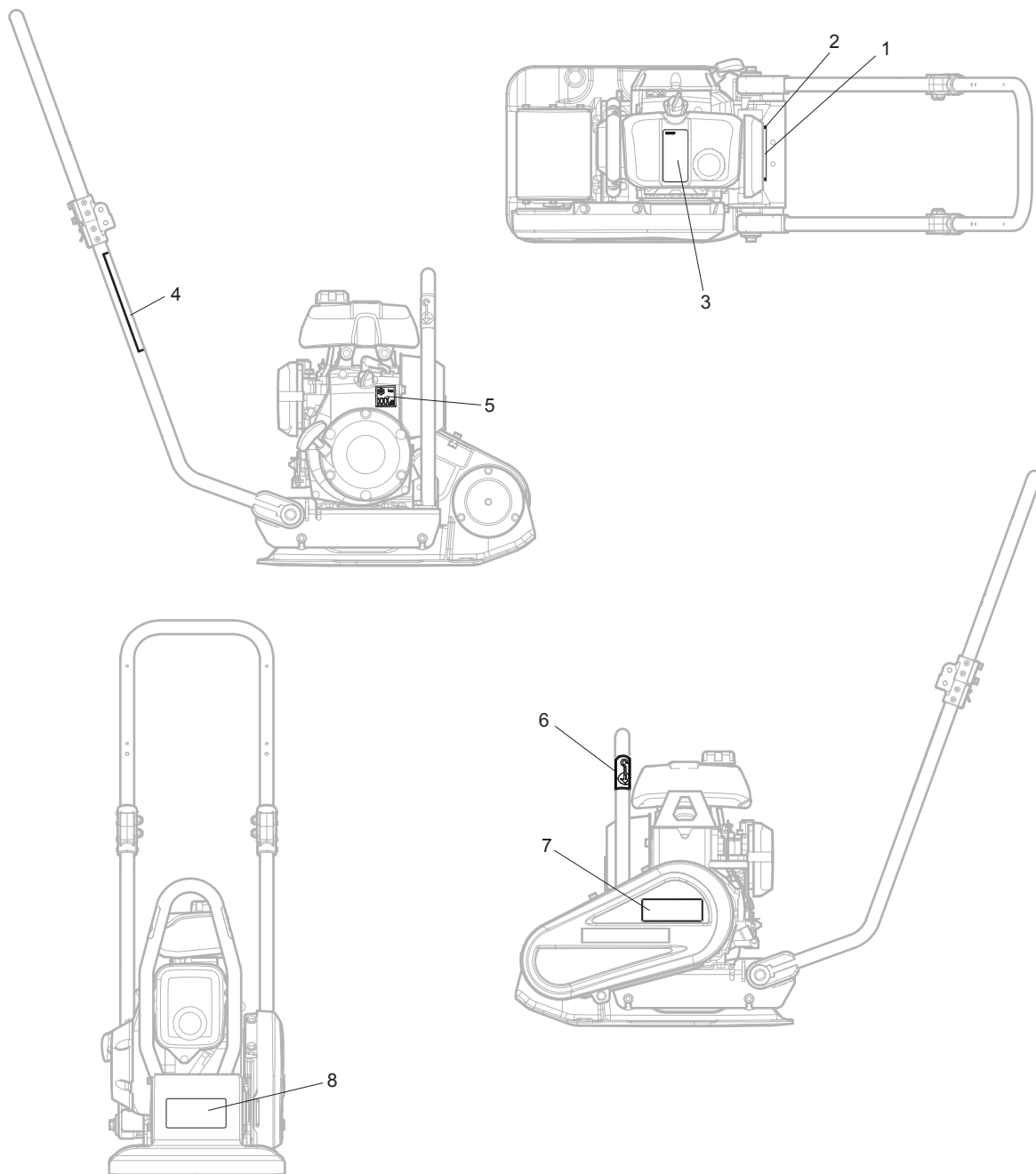
| No. | Description    | Remark                                     | Quantity | Part number  |
|-----|----------------|--|----------|--------------|
| 1   | Handle         | Upper part                                 | 1        | 3382 0115 51 |
| 2   | Bracket        |  | 2        | 4812 0707 21 |
| 3   | Sleeve         |  | 2        | 4812 0707 19 |
| 4   | Knob           |  | 2        | 4812 0707 20 |
| 5   | Washer         | 5.3 x 10 x 1<br>0.21 x 0.39 x 0.04 in.     | 2        | -            |
| 6   | Retainer ring  | 4.8 x 7 x 0.6 mm<br>0.18 x 0.26 x 0.02 in. | 2        | -            |
| 7   | Handle         | Lower part                                 | 1        | 3382 0115 52 |
| 8   | Screw          | M10 x 70 mm 8.8                            | 2        | -            |
| 9   | Washer         | 35 x 11 x 2 mm<br>1.38 x 0.43 x 0.08 in.   | 2        | -            |
| 10  | Shock absorber |  | 2        | 4700 3918 22 |
| 11  | Sleeve         |  | 2        | 4700 3920 84 |

## Vibration damped handle



| No. | Description    | Remark  | Quantity | Part number  |
|-----|----------------|---|----------|--------------|
| 1   | Washer         | 6.4 x 18 x 1.6 mm A2T<br>0.25 x 0.71 x 0.06 in. A2T | 16       | -            |
| 2   | Bracket        |   | 2        | 4700 3930 79 |
| 3   | Shock absorber |   | 2        | 4700 3918 24 |
| 4   | Bracket        |   | 2        | 4700 3930 78 |
| 5   | Screw          | M5 x 10 mm A2K                                      | 8        | -            |
| 6   | Jointing nut   | M6 x 30 mm 8.8                                      | 8        | -            |
| 7   | Screw          | M6 x 12 mm 10.9 A2T                                 | 16       | -            |
| 8   | Handle         |   | 1        | 4700 3920 86 |
| 9   | Handle         | New version, use together with new standard handle. | 1        | 3382 0115 45 |

# Labels





| No. | Description       | Remark            | Quantity | Part number  |
|-----|-------------------|-------------------|----------|--------------|
| 1   | Data plate        |                   | 1        | -            |
| 2   | Drive screw       |                   | 4        | -            |
| 3   | Label             | Assembly          | 1        | 4700 3947 08 |
| 4   | Label             | Start instruction | 1        | 4700 3947 04 |
| 5   | Noise level label |                   | 1        | 4700 7912 88 |
| 6   | Label             | Lift point        | 2        | 4700 3575 87 |
| 7   | Product label     | "LF 50"           | 1        | 3382 0101 49 |
| 8   | Product label     | "Atlas Copco"     | 1        | 3382 0100 79 |

## Kits

### One year service kit

#### One year service kit

Part number 3382 1000 00

| Description      | Remark                            | Quantity | Part number  |
|------------------|-----------------------------------|----------|--------------|
| Inner air filter |                                   | 5        | 4700 9389 32 |
| Outer air filter |                                   | 5        | 4700 9389 33 |
| Gasket           | For oil dipstick                  | 1        | 4700 9384 77 |
| V-belt           | See section "Engine installation" | 1        | 4700 3956 57 |
| Starting rope    |                                   | 1        | 4700 9396 90 |
| Spark plug       |                                   | 1        | 4700 9389 34 |

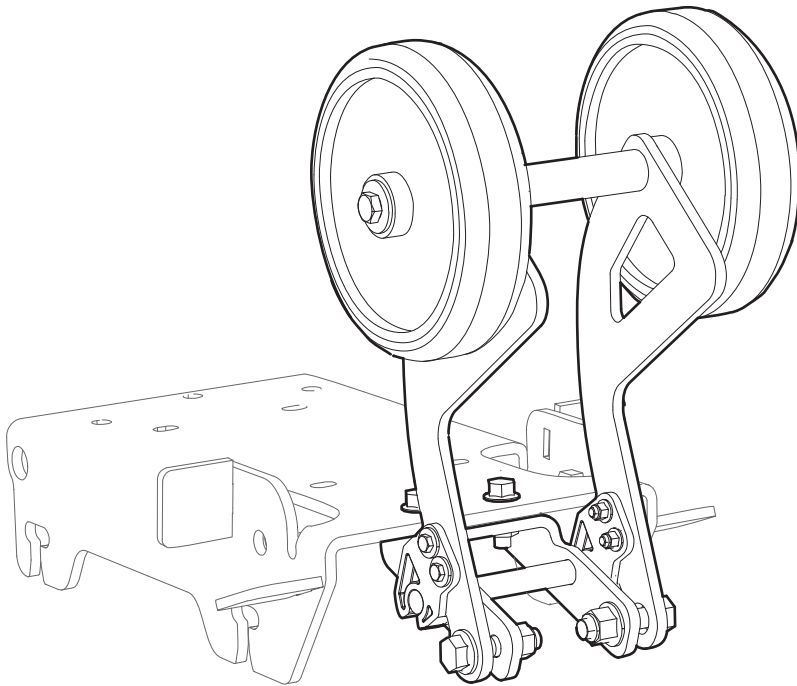
### Shock absorber repair kit

| Description                      | Remark  | Quantity | Part number  |
|----------------------------------|---|----------|--------------|
| <b>Shock absorber repair kit</b> |   | 1        | 3382 1000 05 |
| Shock absorber                   | For ground plate<br>See section "Ground plate installation".                                  | 4        | 4700 7927 06 |
| Washer                           | 10.5 x 28 x 6 mm<br>0.41 x 1.10 x 0.24 in. 300 HV<br>See section "Ground plate installation". | 4        | -            |
| Nut                              | M10 A3K<br>See section "Ground plate installation".   | 8        | -            |
| Shock absorber                   | For handle<br>See section "Handle, standard".   | 2        | 4700 3918 22 |
| Washer                           | 11 x 35 x 2 mm<br>0.43 x 1.38 x 0.08 in<br>See section "Handle, standard".                    | 2        | -            |
| Screw                            | M10 x 70 mm 8.8 A3K<br>See section "Handle, standard".  | 2        | -            |

### Eccentric element repair kit

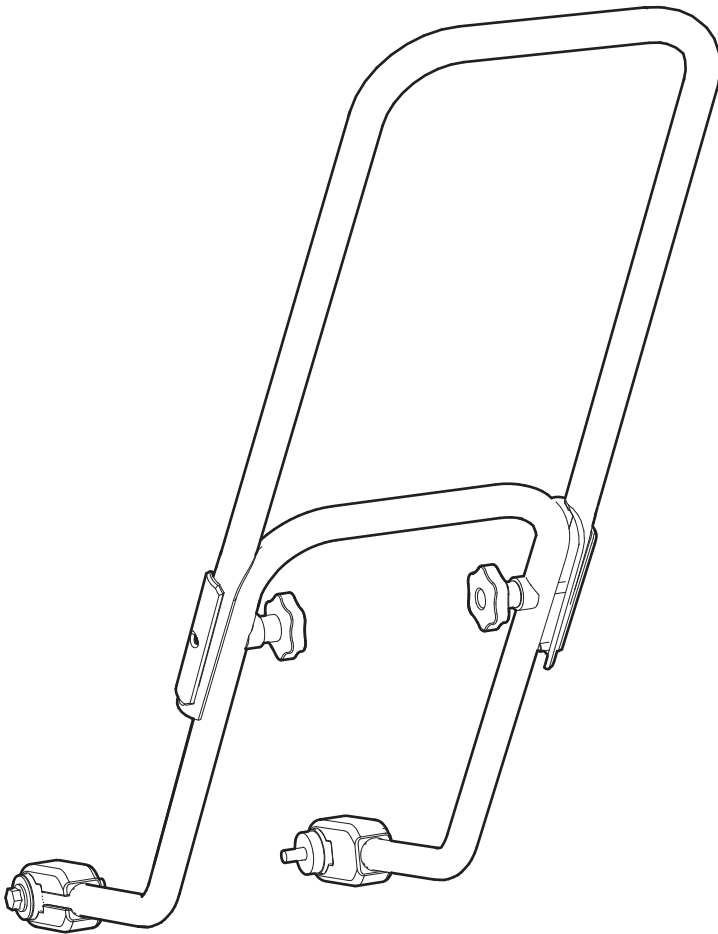
| Description                         | Remark  | Quantity | Part number  |
|-------------------------------------|---|----------|--------------|
| <b>Eccentric element repair kit</b> |   | 1        | 3382 1000 03 |
| Screw                               | M8 x 25 mm 8.8 A2K<br>See section "Ground plate installation".                              | 1        | -            |
| Washer                              | 8.4 x 22 x 3 mm<br>0.33 x 0.87 x 0.12 in. HV300<br>See section "Ground plate installation". | 1        | -            |
| Oil seal                            | See section "Ground plate installation".  | 1        | 4700 1631 05 |
| Screw                               | M6 x 16 mm 8.8 A2K<br>See section "Ground plate installation".                              | 6        | -            |
| Bearing                             | See section "Ground plate installation".  | 2        | 4700 7927 10 |

## Transport device kit



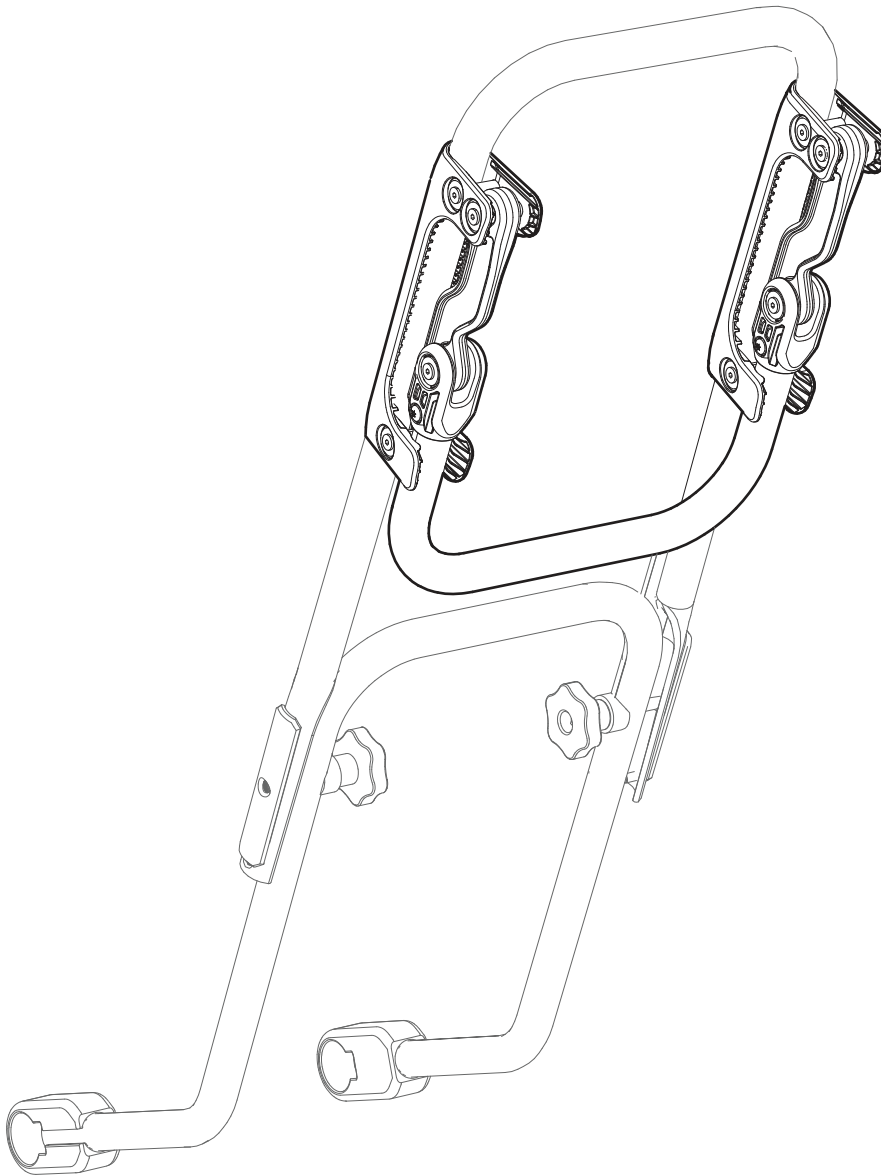
| Description                 | Remark                                    | Quantity | Part number  |
|-----------------------------|---|----------|--------------|
| <b>Transport device kit</b> |   | 1        | 3382 0102 13 |
| Wheel bracket               |   | 1        | -            |
| Nut                         | M10 x 1.5 mm A3K                          | 2        | -            |
| Screw                       | M10 x 40 mm 8.8 A3K                       | 2        | -            |
| Screw                       | M8 x 25 mm 8.8 A2K                        | 2        | -            |
| Bracket                     |   | 1        | -            |
| Wheel                       |   | 2        | -            |
| Clip                        |   | 2        | -            |
| Nut                         | M5 A2K                                    | 4        | -            |
| Screw                       | M5 x 25 mm 8.8 A2K                        | 4        | -            |
| Washer                      | 8.4 x 25 x 2 mm<br>0.33 x 0.98 x 0.08 in. | 4        | -            |
| Washer                      | 8.4 x 25 x 2 mm<br>0.33 x 0.98 x 0.08 in. | 2        | -            |
| Screw                       | M8 x 12 mm 8.8 A2K                        | 2        | -            |

## Handle kit



| Description       | Remark                                   | Quantity | Part number  |
|-------------------|--|----------|--------------|
| <b>Handle kit</b> |  | 1        | 3382 1001 84 |
| Handle            | Upper                                    | 1        | -            |
| Handle            | Lower                                    | 1        | -            |
| Bracket           |  | 2        | -            |
| Knob              |  | 2        | -            |
| Screw             | M10 x 70 mm 8.8                          | 2        | -            |
| Washer            | 35 x 11 x 2 mm<br>1.38 x 0.43 x 0.08 in. | 2        | -            |
| Sleeve            |  | 2        | -            |
| Shock absorber    |  | 2        | -            |
| Sleeve            |  | 2        | -            |
| Retainer ring     |  | 2        | -            |
| Washer            | 5.3 x 10 x 1<br>0.21 x 0.39 x 0.04 in.   | 2        | -            |

## Vibration damped handle kit



| Description                        | Remark  | Quantity | Part number  |
|------------------------------------|---|----------|--------------|
| <b>Vibration damped handle kit</b> |   | 1        | 3382 1001 83 |
| Handle                             |   | 1        | -            |
| Bracket                            |   | 2        | -            |
| Shock absorber                     |   | 2        | -            |
| Bracket                            |   | 2        | -            |
| Screw                              | M5 x 10 mm A2K                                  | 8        | -            |
| Nut                                | M6 x 30 mm                                      | 8        | -            |
| Screw                              | M6 x 12 mm 10.9 A2T                             | 16       | -            |
| Washer                             | 6.4 x 18 x 1.6 mm<br>0.25 x 0.71 x 0.06 in. A2T | 16       | -            |
| Bracket                            |   | 2        | -            |





Any unauthorized use or copying of the contents or any part thereof is prohibited.  
This applies in particular to trademarks, model denominations, part numbers, and  
drawings.

© 2013 Atlas Copco Construction Tools AB | No. 9800 1118 01c | 2013-04-25

**Atlas Copco**

[www.atlascopco.com](http://www.atlascopco.com)